

Kubota Engine Thailand (KET)

1. Outline

Address	No.360 Moo 3, T.Khao Hinson, A.Phanomsarakarm Chachoengsao, 24120 Thailand
Number of employees	419
Site area	75856 m ²
Establishment day	24-Feb-11
ISO14001 certification date	3-Jul-2015



3. Environmental policy

1. The Kubota Group aspires to create a society where sustainable development is possible on a global scale.
2. The Kubota Group contributes to the conservation of global and local environments through its environmentally friendly operations, products, and technologies.
(KET Environmental policy please see below)

4. Environmental performance data (FY2015)

Used amount of energy	Crude oil equivalent KL	2,590
Used amount of water	1000m ³	14

CO₂ emission	t -CO ₂	5,453
--------------------------------	--------------------	-------

Air Pollutant measurement results				
Main smoke and soot generation facilities		Heating furnaces		
	Unit	Control content	Control value	Maximum measured
SOx	Concentration control: ppm	Concentration control	60 ppm	21.5
NOx	Total emission control: m ³ N/h, Concentration control: ppm	Concentration control	200 ppm	22.5
Particulate	Concentration control: mg/m ³	Concentration control	0.32 g/m ³ N	0.052

Amount of discharge water	million m ³ /year	No external water discharge	
Amount of pollutant in discharge water	COD	kg/year	-
	Nitrogen	kg/year	-
	Phosphorus	kg/year	-

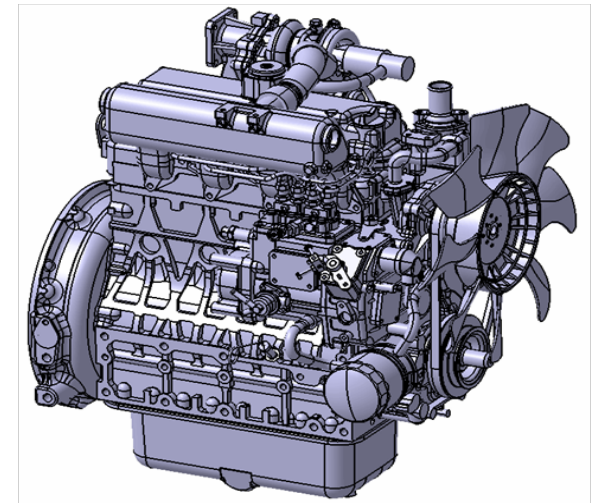
Water pollutant measurement results				
	unit	Control value	Maximum measured	
Treated water* (Recycled)	pH	-	5.5-9.0	6.7 - 7.4
	BOD	mg/L	< 20	2
	COD	mg/L	<120	29
	Nitrogen	mg/L	< 100	2
	Phosphorus	mg/L	-	16.6
	Hexavalent chromium	mg/L	< 0.25	<0.10
	Lead	mg/L	< 0.2	<0.05
	COD, total emission control	kg/day	-	1.2
	Nitrogen, total emission control	kg/day	-	0.1
	Phosphorus, total emission control	kg/day	-	1.6
	SS	mg/L	< 50	2

*No external water discharge

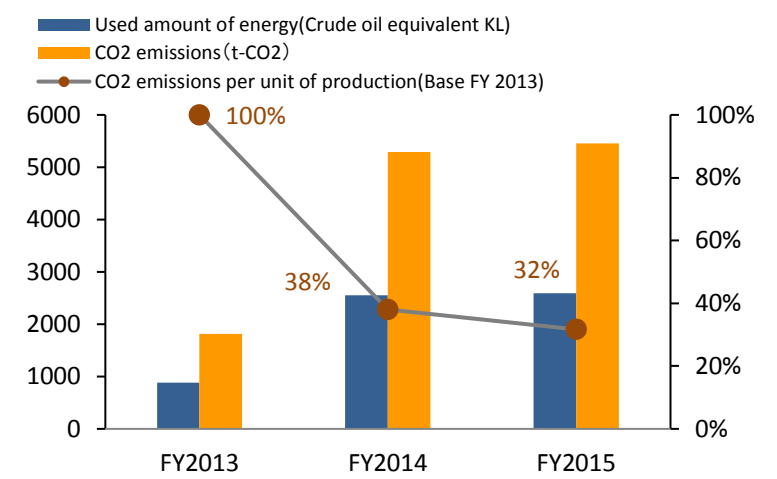
Waste discharge	t /year	661
Recycling ratio	%	89.0%

2. Products

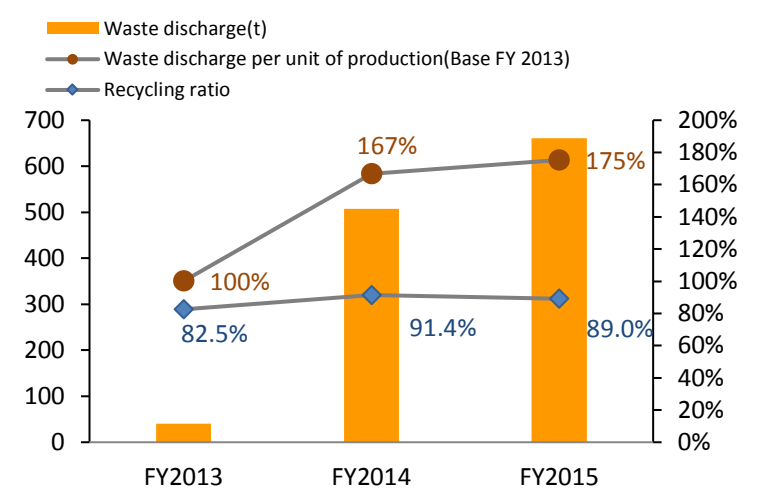
Main products



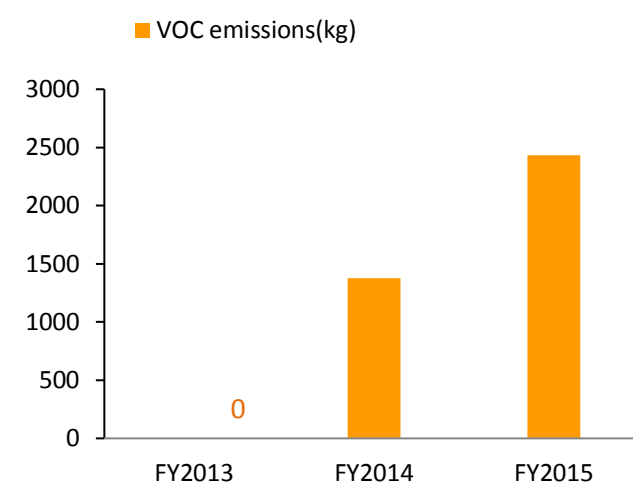
Vertical type Diesel Engines



Graph.1 Energy & CO₂ emissions



Graph.2 Waste discharge & Recycling ratio



Graph.3 VOC emissions

Kubota Engine Thailand (KET)

5.Environmental Communication

- 1.Chemical spill respond 2015
- 2. Environmental & CSR activity in Environmental Month 2015
- 3.Environmental and Energy saving awareness 2015



1.Chemical spill respond



2. Environmental & CSR activity in Environmental Month 2015



3.Environmental and Energy saving awareness 2015

Environmental, Safety and Occupational Health Policy

KUBOTA Engine (Thailand) Co. Ltd (KET), a leading manufacturer of diesel engines for agricultural and industrial machinery recognizes the importance of environmental protection as well as the occupational health and safety of employees, local communities and society overall. The company, therefore, is committed to operate with the environment, safety and employees health in mind. The company has set up an Environmental Management System (ISO 14001:2004) and Occupational Health and Safety Management Systems (OHSAS 18001:2007) policies to support this operation as detailed in the following.

1. KET is committed to prevent accidents and occupational diseases by improving working environments which present an unacceptable risk of harm and strictly complies with the company's safety regulations.
2. KET is responsible to society by considering environmental impacts, which are caused by human activities, products including energy saving, as well as the reuse of resources, in its operations. In addition it will continue to protect the environment and reduce pollution.
3. KET has encouraged and supported employees in all departments to create a workplace in accordance with the 5S principles to improve operation, safety, and equipment maintenance as well as using an appropriate protective equipment to reduce accidents and prevent occupational diseases.
4. KET continues training activities to educate and create awareness on environmental, safety and occupational health to employees.
5. KET will continue to comply with legal and regulatory requirements related to the environment, safety and occupational health.
6. KET communicates to all employees about its environmental, safety and occupational health policy, including information on the implementation.
7. KET communicates to interested parties about its environment, safety and occupational health policy and accepts comments and complains.
8. KET continues to review objectives, targets, and results of overall operation on environmental, safety and occupational health for better improvement.

This is a responsibility of all employees to comply with.

Announced to acknowledgement.

To be effective from 6 November 2014 onwards.

.....

(Mr. Shigenori Kobayashi)
President