

Dimension Handbook

GENEX

Size 3" (75mm) ~ 16" (400mm)

CONTENTS

Pipes

Appendix Table 1 GX- Pipes (Size3"~16")1

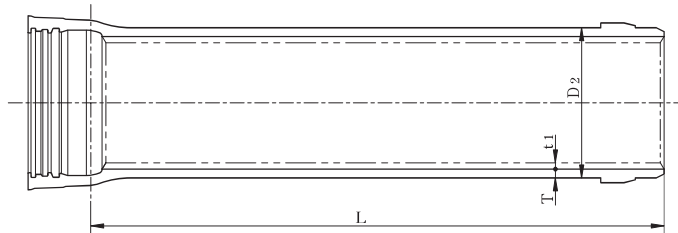
Fittings

Appendix Table 2 GX- Fittings (Size3"~16")3
 Appendix Table 3 GX- Double Socket Tee (Size3"~16")4
 Appendix Table 4 GX- Reducer (Size3"~16")5
 Appendix Table 5 GX- Socket Spigot Bend 90°(Size3"~16")6
 Appendix Table 6 GX- Socket Spigot Bend 45°(Size3"~16")7
 Appendix Table 7 GX- Socket Spigot Bend 22 1/2°(Size3"~16")8
 Appendix Table 8 GX- Socket Spigot Bend 11 1/4°(Size3"~16")9
 Appendix Table 9 GX- Double Socket Bend 45°(Size3"~16") 10
 Appendix Table 10 GX- Double Socket Bend 22 1/2°(Size3"~16") 11
 Appendix Table 11 GX- Socket Spigot Tee with Flanged Branch
 (Size3"~16") (For Air Valves and Fire Hydrants) 12
 Appendix Table 12 GX- Socket Spigot Tee with Flanged Branch for
 Shallow Buried Use (Size3"~10")
 (For Air Valves and Fire Hydrants) 13
 Appendix Table 13 GX- Socket Spigot Tee with Spiral Flanged
 Branch (Size3"~16") (For Fire Hydrants) 14
 Appendix Table 14 GX- Double Socket Level Invert Tee (Size3"~16") 15
 Appendix Table 15 GX- Collar (Sleeves) (Size3"~16") 16
 Appendix Table 16 GX- Double Socket Piece (Size3"~16") 17
 Appendix Table 17 GX- Offset (Size3"~12") 18
 Appendix Table 18 GX- Cap (Size3"~16") 19
 Appendix Table 19 GX- Resilient Seated Gate Valve (Size3"~16") 20
 Appendix Table 20 GX- Socket Flange Adapter (Size3"~16") 22
 Appendix Table 21 GX- Spigot Flange Adapter (Size3"~16") 23

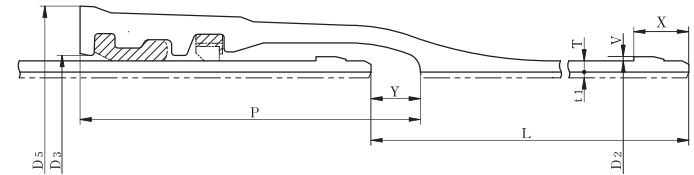
Accessories

Appendix Table 22 GX- Accessories (1) (Gland) 25
 Appendix Table 23 GX- Accessories (2) (P-Link) 27
 Appendix Table 24 GX- Accessories (3) (G-Link) 29
 Appendix Table 25 GX- Accessories (4) (Lock Ring) 31
 Appendix Table 26 GX- Accessories (5) (Liner) 32
 Appendix Table 27 GX- Accessories (6) (Spigot Ring for Cut Pipe) 33
 Appendix Table 28 GX- Accessories (7) (Spigot Ring for Cut Pipe) 34
 Appendix Table 29 GX- Accessories (8) (T-head Bolts and Nuts) 35
 Appendix Table 30 GX- Accessories (9) (Rubber Gasket) 36
 Appendix Table 31 GX- Accessories (10) (Lock Ring Holder) 38
 Appendix Table 32 GX- Accessories (11) (Liner Board) 39

Appendix Table 1 GX- Pipes



Detail of joint section



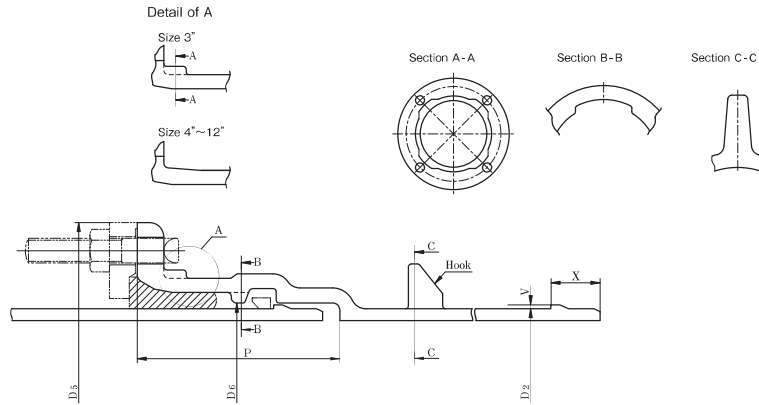
Size (inches)	Wall Thickness (inches)		Outside Diameter (inches)	Dimensions (inches)							Nominal laying length (feet)
	T			D2	D3	D5	P	V	X	Y	
	D1	DS									
3	0.30	0.24	3.66	3.97	6.26	8.05	0.098	1.30	1.77	13.12	
4	0.30	0.24	4.65	4.99	7.48	8.27	0.120	1.30	1.77	13.12	
6	0.30	0.26	6.65	7.00	9.53	9.69	0.120	1.30	2.36	16.40	
8	0.30	0.26	8.66	9.02	11.57	10.04	0.120	1.30	2.36	16.40	
10	0.30	0.26	10.69	11.05	13.62	10.08	0.120	1.30	2.36	16.40	
12	0.30	0.28	12.71	13.06	16.06	11.73	0.120	1.39	2.83	19.69	
16	0.33	0.28	16.76	17.13	20.51	12.44	0.120	1.39	2.95	19.69	

Note Spigot projection will be welded or casted by suitable
(Din : Nominal Diameter inches).

Mass (lb)				Lining		Size (inches)
Socket projection	Spigot projection	Pipe		Thickness (inches)	Mass (lb)	
		Per 1 piece				
		D1	DS	t1	Per 1 piece	
20.3	0.18	146	123	0.16	19.5	3
26.7	0.26	189	159	0.16	26.0	4
41.4	0.49	337	300	0.16	49.2	6
55.1	0.79	445	395	0.16	65.9	8
65.9	0.97	551	489	0.16	82.9	10
113	0.35	807	763	0.24	178	12
157	0.46	1197	1016	0.24	238.1	16

method. In this case, pull-out resistance force will be more than 17,000 Din(lbf)

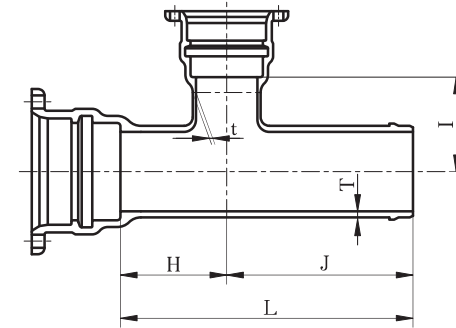
Appendix Table 2 GX-Fittings



Size (inches)	Outside Diameter (inches)	Dimensions (inches)					Number of bolt holes	Mass (lb)	
	D ₂	D ₅	D ₆	P	V	X		Socket projection	Spigot projection
3	3.66	8.27	3.97	5.37	0.098	1.30	4	15.3	0.09
4	4.65	9.61	4.99	5.41	0.120	1.30	4	19.1	0.13
6	6.65	12.01	7.00	5.59	0.120	1.30	6	29.8	0.20
8	8.66	13.94	9.02	5.67	0.120	1.30	6	37.5	0.26
10	10.69	16.10	11.05	5.71	0.120	1.30	8	46.1	0.31
12	12.71	18.78	13.06	5.91	0.120	1.39	8	74.1	0.37
16	16.76	22.91	17.13	5.98	0.120	1.39	12	101.9	0.49

Note Hooks will be casted on spigot side of Bends (Appendix Table 5~8) and Offset (Appendix Table 17).
In this case, hooks will be located on two places at horizontal line of pipes to left and right.

Appendix Table 3 GX- Double Socket Tee



Size (inches)		Wall Thickness (inches)		Dimensions (inches)				Mass (lb)
D	d	T	t	H	I	J	L	
3	3	0.31	0.31	3.94	3.94	13.39	17.32	47.0
4	3	0.31	0.31	3.94	4.72	13.39	17.32	55.3
4	4	0.31	0.31	4.72	4.72	13.78	18.50	61.1
6	3	0.33	0.31	3.94	5.51	13.78	17.72	77.2
6	4	0.33	0.31	4.72	5.51	14.17	18.90	83.3
6	6	0.33	0.33	5.91	5.91	16.14	22.05	101
8	4	0.37	0.31	4.72	6.69	14.96	19.69	109
8	6	0.37	0.33	5.91	6.69	16.14	22.05	126
8	8	0.37	0.37	6.69	6.69	18.50	25.20	142
10	4	0.41	0.31	4.72	7.48	14.96	19.69	135
10	6	0.41	0.33	5.91	7.87	16.14	22.05	155
10	10	0.41	0.41	7.87	7.87	18.11	25.98	187
12	4	0.41	0.31	4.53	9.25	14.37	18.90	175
12	6	0.41	0.33	5.71	9.25	15.55	21.26	195
12	8	0.41	0.37	6.89	9.25	18.70	25.59	220
12	12	0.41	0.41	9.25	9.25	21.85	31.10	282
16	12	0.47	0.41	9.25	11.22	22.64	31.89	379
16	16	0.47	0.47	11.61	11.61	25.59	37.20	445

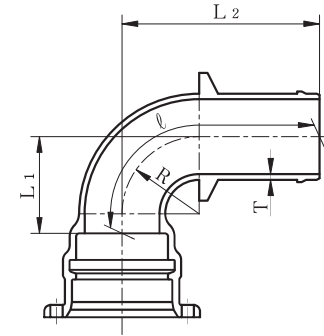
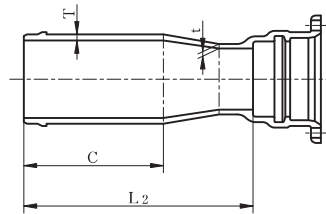
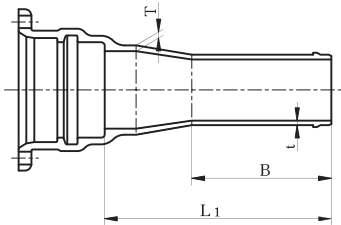
Appendix Table 4 GX- Reducer

Appendix Table 5 GX- Socket Spigot Bend 90°



Socket Spigot Reducers

Spigot Socket Reducers

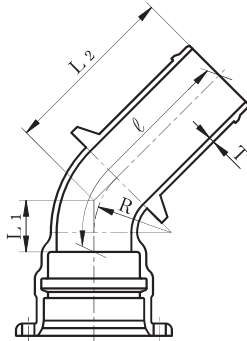


Size (inches)		Wall Thickness (inches)		Dimensions (inches)				Mass (lb)	
D	d	T	t	B	C	L1	L 2	Socket-Spigot	Spigot-Socket
4	3	0.31	0.31	10.63	10.63	16.14	16.14	34.0	32.4
6	4	0.33	0.31	10.63	11.02	16.14	16.54	49.4	45.4
8	6	0.37	0.33	11.02	11.81	16.54	17.32	69.0	70.3
10	8	0.41	0.37	11.81	11.81	17.32	17.32	93.5	94.4
12	4	0.41	0.31	11.22	11.22	28.35	27.76	132	106
12	6	0.41	0.33	11.22	11.22	24.41	23.82	133	112
12	8	0.41	0.37	11.22	11.22	20.47	19.88	134	112
12	10	0.41	0.41	11.22	11.22	16.54	15.94	134	110
16	8	0.47	0.37	11.42	11.42	28.74	27.95	208	179
16	12	0.47	0.41	11.42	11.42	20.87	20.67	200	192

Size (inches)	Wall Thickness (inches)	Dimensions (inches)			Length of Pipe center (inches)	Mass (lb)
	T	R	L 1	L 2	ℓ	
3	0,31	2.76	4.33	14.57	17.72	30.9
4	0.31	3.74	5.12	15.35	18.86	40.6
6	0.33	5.71	7.09	17.72	22.36	68.8
8	0,37	7.68	9.06	20.47	26.22	105
10	0,41	9.45	11.02	22.44	29.41	149
12	0,41	9.06	10,43	22,05	28,19	191
16	0,47	13,19	14,76	25,98	35,08	322

Note Hooks will be located on two places as shown in Appendix Table 2.

Appendix Table 6 GX- Socket Spigot Bend 45°



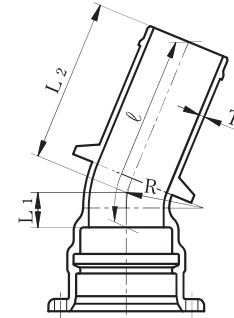
Size (inches)	Wall Thickness (inches)	Dimensions (inches)				Length of Pipe center (inches)	Mass (lb)
	T	R	L ₁	L ₂	ℓ		
3	0.31	2.76	2.76	12.99	15.63	29.1	
4	0.31	3.74	3.15	13.39	16.38	37.7	
6	0.33	5.71	3.94	14.57	18.27	61.7	
8	0.37	7.68	4.72	16.14	20.55	90.2	
10	0.41	9.45	5.51	16.93	22.05	123	
12	0.41	9.06	5.12	17.32	22.05	166	
16	0.47	13.19	6.89	18.90	25.24	260	

Note Hooks will be located on two places as shown in Appendix Table 2.

Appendix Table 7 GX- Socket Spigot Bend 22 1/2°




GX



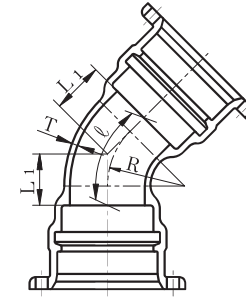
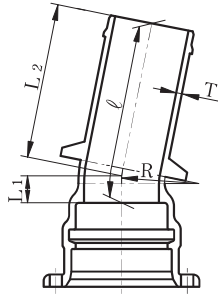
Size (inches)	Wall Thickness (inches)	Dimensions (inches)				Length of Pipe center (inches)	Mass (lb)
	T	R	L ₁	L ₂	ℓ		
3	0.31	2.76	1.97	12.20	14.17	27.8	
4	0.31	3.74	2.36	12.60	14.96	36.2	
6	0.33	5.71	2.76	13.39	16.10	58.0	
8	0.37	7.68	3.15	14.57	17.68	82.9	
10	0.41	9.45	3.15	14.96	18.07	109	
12	0.41	9.06	3.35	15.16	18.46	151	
16	0.47	13.19	4.13	15.55	19.61	225	

Note Hooks will be located on two places as shown in Appendix Table 2.

Appendix Table 8 GX- Socket Spigot Bend 11 1/4° 

Appendix Table 9 GX- Double Socket Bend 45° 

GX

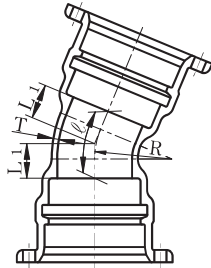


Size (inches)	Wall Thickness (inches)	Dimensions (inches)			Length of Pipe center (inches)	Mass (lb)
	T	R	L ₁	L ₂	ℓ	
3	0,31	2,76	1,57	11,81	13,39	27,1
4	0,31	3,74	1,97	12,20	14,17	35,3
6	0,33	5,71	1,97	12,60	14,57	55,3
8	0,37	7,68	2,36	13,78	16,14	79,1
10	0,41	9,45	2,36	13,78	16,14	103
12	0,41	9,06	2,36	13,39	15,75	140
16	0,47	13,19	2,76	13,78	16,54	206

Note Hooks will be located on two places as shown in Appendix Table 2.

Size (inches)	Wall Thickness (inches)	Dimensions (inches)		Length of Pipe center (inches)	Mass (lb)
	T	R	L ₁	ℓ	
3	0,31	2,76	2,76	5,39	35,1
4	0,31	3,74	3,15	6,14	45,0
6	0,33	5,71	3,94	7,64	71,6
8	0,37	7,68	4,72	9,13	98,3
10	0,41	9,45	5,51	10,63	129
12	0,41	9,06	5,12	9,84	189
16	0,47	13,19	6,89	13,23	287

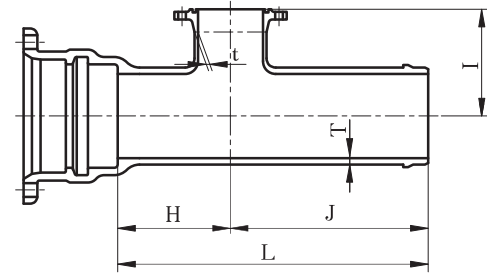
Appendix Table 10 GX- Double Socket Bend 22 1/2°



Size (inches)	Wall Thickness (inches)	Dimensions (inches)			Length of Pipe center (inches) <i>l</i>	Mass (lb)
	T	R	L ₁			
3	0.31	2.76	1.97	3.94	34.0	
4	0.31	3.74	2.36	4.72	43.4	
6	0.33	5.71	2.76	5.47	68.1	
8	0.37	7.68	3.15	6.26	91.0	
10	0.41	9.45	3.15	6.26	114	
12	0.41	9.06	3.35	6.65	176	
16	0.47	13.19	4.13	8.19	256	

Appendix Table 11 GX- Socket Spigot Tee with Flanged Branch

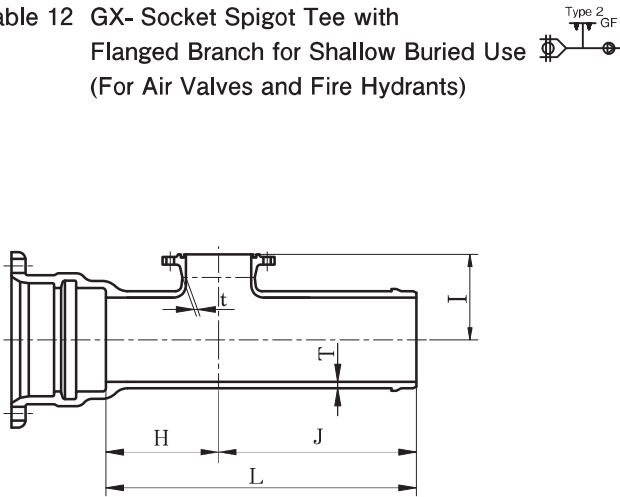
(For Air Valves and Fire Hydrants)



Size (inches)		Wall Thickness (inches)		Dimensions (inches)				Mass (lb)
D	d	T	t	H	I	J	L	Type 2 105psi
3	3	0.31	0.31	3.94	7.87	13.39	17.32	43.2
4	3	0.31	0.31	3.94	7.87	13.39	17.32	51.8
6	3	0.33	0.31	3.94	9.84	13.78	17.72	74.1
8	3	0.37	0.31	3.94	9.84	14.57	18.50	97.7
10	3	0.41	0.31	3.94	11.81	14.57	18.50	125
12	3	0.41	0.31	4.13	11.81	13.98	18.11	162
12	4	0.41	0.31	4.53	11.81	14.57	19.09	169
16	3	0.47	0.31	4.13	13.78	14.17	18.31	229.3
16	4	0.47	0.31	4.53	13.78	14.57	19.09	236

Note Details of flange figure will conform to 105psi (7.5k) GF-type of JIS G 5527.

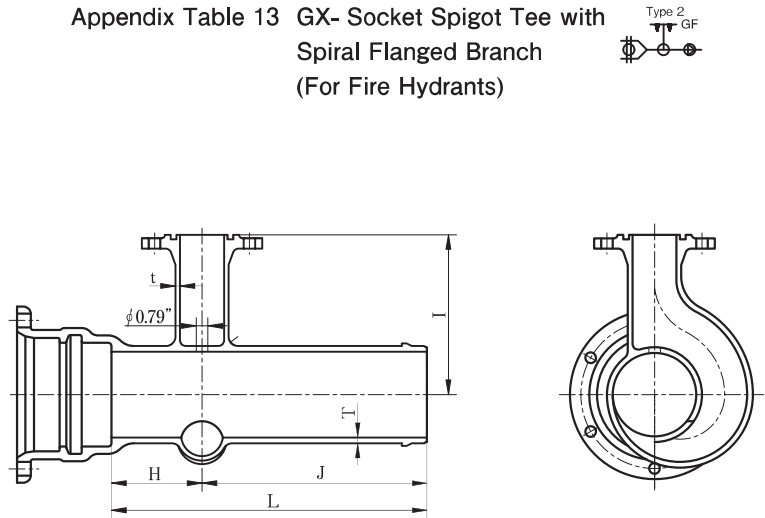
Appendix Table 12 GX- Socket Spigot Tee with Flanged Branch for Shallow Buried Use (For Air Valves and Fire Hydrants)



Size (inches)		Wall Thickness (inches)		Dimensions (inches)				Mass (lb)
D	d	T	t	H	I	J	L	Type 2 105psi
3	3	0.31	0.31	5.51	4.13	14.96	20.47	42.5
4	3	0.31	0.31	5.51	4.72	14.96	20.47	52.2
6	3	0.33	0.31	5.51	6.69	15.35	20.87	76.3
8	3	0.37	0.31	5.51	7.87	16.14	21.65	104
10	3	0.41	0.31	5.51	9.06	16.14	21.65	133

Note Details of flange will conform to 105psi (7.5k) GF-type of JIS G 5527


Appendix Table 13 GX- Socket Spigot Tee with Spiral Flanged Branch (For Fire Hydrants)



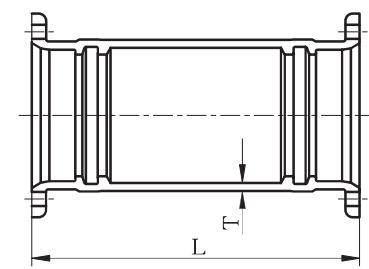
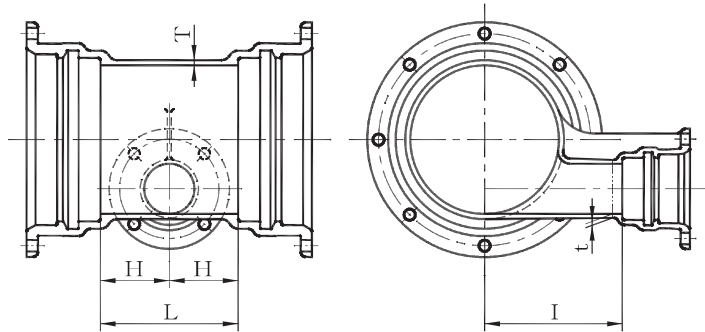
Size (inches)		Wall Thickness (inches)		Dimensions (inches)				Mass (lb)
D	d	T	t	H	I	J	L	Type 2 105psi
3	3	0.31	0.31	3.94	9.84	17.72	21.65	54.9
4	3	0.31	0.31	3.94	9.84	18.50	22.44	66.6
6	3	0.33	0.31	3.94	11.02	18.50	22.44	92.4
8	3	0.37	0.31	3.94	11.81	18.50	22.44	120
10	3	0.41	0.31	3.94	12.99	18.50	22.44	152
12	3	0.41	0.31	4.13	13.78	18.70	22.83	198
12	4	0.41	0.31	4.53	13.78	19.29	23.82	210

Note Details of flange will conform to 105psi (7.5k) GF-type of JIS G 5527.

Appendix Table 14 Double Socket Level Invert Tee 

Appendix Table 15 GX- Collar (Sleeves) 

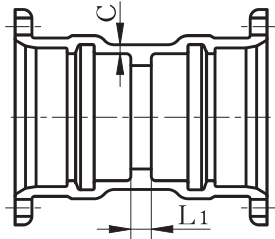
GX



Size (inches)		Wall Thickness (inches)		Dimensions (inches)			Mass (lb)
D	d	T	t	H	I	L	
12	4	0.41	0.31	5.51	10.63	11.02	220
16	6	0.47	0.33	6.89	12.80	13.78	328

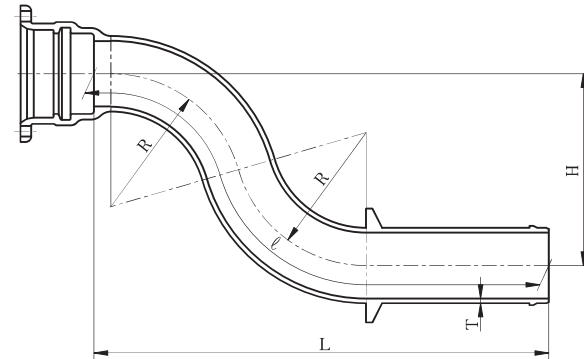
Size (inches)	Wall Thickness (inches)	Dimension (inches)	Mass (lb)
	T	L	
3	0.43	19.29	45.9
4	0.43	19.69	57.3
6	0.47	21.65	91.9
8	0.47	22.05	116
10	0.47	22.05	140
12	0.55	25.39	225
16	0.59	25.39	309

Appendix Table 16 GX- Double Socket Piece 



Size (inches)	Dimension (inches)	Length of Pipe center (inches)	Mass (lb)
	C	L1	
3	0.39	0.79	31.3
4	0.39	0.79	39.0
6	0.43	0.79	60.8
8	0.43	0.79	77.2
10	0.43	0.79	95.0
12	0.59	0.79	148
16	0.63	0.79	203

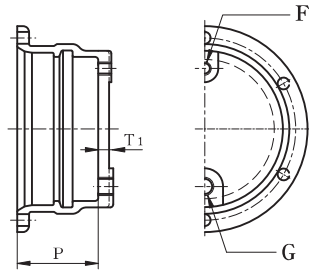
Appendix Table 17 GX- Offset 



Size (inches)	Wall Thickness (inches)	Dimensions (inches)			Length of Pipe center (inches)	Mass (lb)
	T	R	L	H	ℓ	
3	0.31	6.97	26.77	11.81	32.76	43.9
3	0.31	7.91	28.74	17.72	39.65	49.6
4	0.31	8.19	28.74	11.81	34.09	57.5
4	0.31	8.86	30.71	17.72	40.83	64.8
6	0.33	10.51	32.28	11.81	36.89	93.7
6	0.33	11.06	35.04	17.72	43.66	105
8	0.37	12.87	35.83	11.81	39.88	139
8	0.37	13.66	39.76	17.72	47.28	157
10	0.41	14.76	37.80	11.81	41.54	190
10	0.41	15.16	41.73	17.72	48.78	215
12	0.41	18.11	41.34	11.81	44.69	260
12	0.41	18.43	46.06	17.72	52.32	291

Note Hooks will be located on two places as shown in Appendix Table 2.

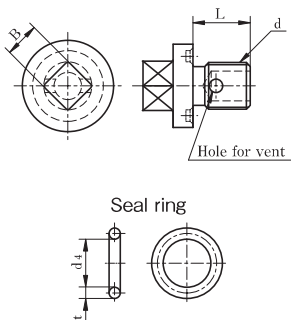
Appendix Table 18 GX-Cap



Size (inches)	Dimensions (inches)		Tap hole		Mass (lb)
	T ₁	P	F	G	
3	0.71	5.37	G ¼	G ½	17.4
4	0.71	5.41	G ¼	G ½	22.5
6	0.71	5.59	G ¼	G ½	36.8
8	0.71	5.67	G ½	G 1	49.2
10	0.77	5.71	G ½	G 1	65.3
12	0.91	5.91	G 1	G 2	106
16	0.98	5.98	G 1	G 2	160.7

Notes
 1. PFA (Allowable operating pressure) : 105 psi
 2. Figure in parentheses shows case of Size 3"~6".
 3. Screw size of tapped holes will conform to parallel thread of JIS B 0202.

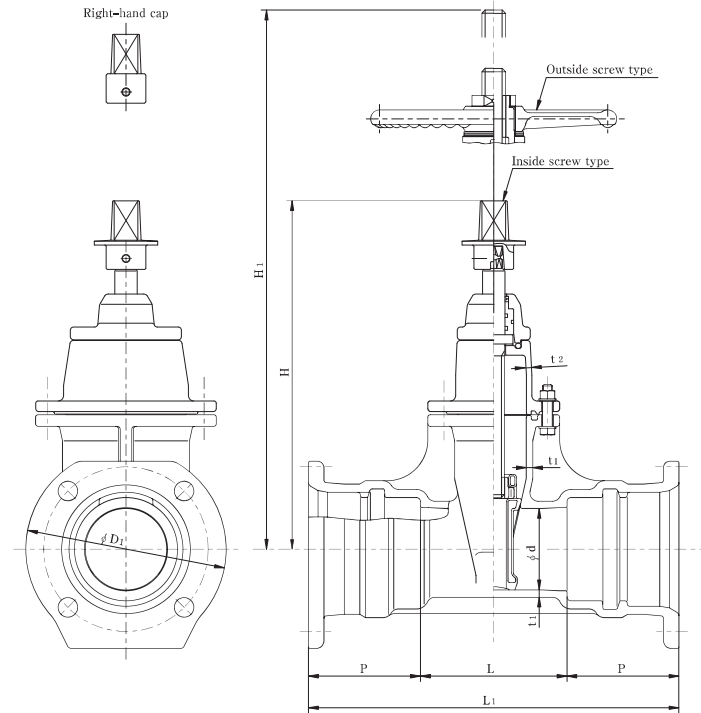
Bolts for vent and drain
(SUS304)



Size (inches)	Bolts for vent and drain		Seal ring	
	Dimensions (inches)	Dimensions (inches)	Dimensions (inches)	Dimensions (inches)
d	B	L	t	d ₄
G1 / 4	0.47	0.83	0.197	0.748
G1 / 2	0.55	0.87	0.197	0.830
G1	0.87	1.06	0.197	1.380
G2	0.98	1.18	0.224	2.362

Note Seal rings will be of synthetic rubber (SBR).
 Minimum durometer hardness will be HA 70 and the minimum tensile strength will be 2600 psi.

Appendix Table 19 GX-Resilient Seated Gate Valve

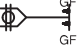


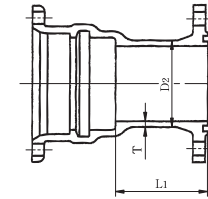
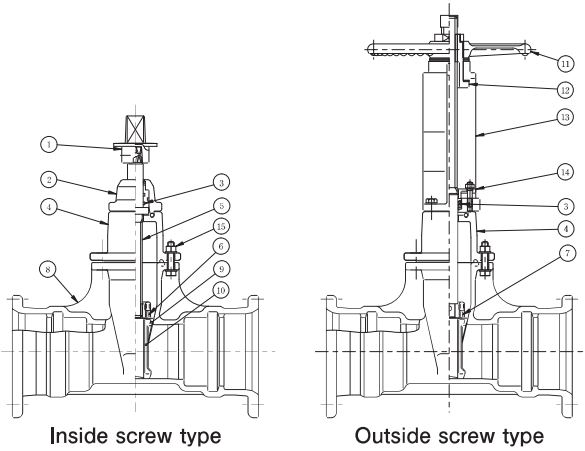
Size (inches)	Diameter (inches)	Face-to-face (inches)	Nominal laying length (inches)	Joint		Minimum thickness (inches)		Stem Turns (fully open ~ totally-enclosed)	Maximum height (inches)	
				Outside diameter (inches)	Length (inches)	t ₁	t ₂		H	H ₁
3	3	17.83	7.09	8.27	5.37	0.24	0.20	13	12.99	22.44
4	4	17.91	7.09	9.61	5.41	0.24	0.24	17	14.37	26.38
6	6	19.84	8.66	12.01	5.59	0.28	0.24	19	17.91	36.22
8	8	21.57	10.24	13.94	5.67	0.31	0.28	25	21.26	44.09
10	10	23.23	11.81	16.10	5.71	0.35	0.28	25	25.20	54.33
12	12	27.56	15.75	18.78	5.91	0.35	0.28	30	29.13	62.60
16	16	31.65	19.69	22.91	5.98	0.55	0.47	33	48.82	78.35

Notes
 1. The diameter will conform to JIS B 2001.
 2. The dimension of caps will conform to JWWA Z 103.



Appendix Table 19 GX-Resilient Seated Gate Valve 

Appendix Table 20 GX- Socket Flange Adapter 



No.	Item	Material
1	Cap	FCD450-15/FCD450-10 in accordance with JIS G 5502.
2	Packing box	FCD450-15/FCD450-10 in accordance with JIS G 5502.
3	Packing	NBR or SBR or Nylon or Polytrifluoromonochloroethylene in accordance with JIS B 2401.
4	Bonnet	FCD450-15/FCD450-10 in accordance with JIS G 5502.
5	Stem	SUS403 in accordance with JIS G 4303.
6	Stem nut	C3771 in accordance with JIS H 3250 or CAC406 in accordance with JIS H 5120.
7	Hook	C3771 in accordance with JIS H 3250 or CAC406 in accordance with JIS H 5120 or SUS304/SUS403 in accordance with JIS G 4303 or SCS2/SCS13 in accordance with JIS G 5121.
8	Body	FCD450-15/FCD450-10 in accordance with JIS G 5502.
9	Rubber seat	EPDM/SBR/NBR/CR in accordance with JWWA K156 IA 60-70/ II 60-70.
10	Wedge	FCD450-15/FCD450-10 in accordance with JIS G 5502 or SCS13 in accordance with JIS G 5121.
11	Handle	FC200 in accordance with JIS G 5501.
12	Sleeve	CAC406 in accordance with JIS H 5120.
13	Yoke	FCD450-15/FCD450-10 in accordance with JIS G 5502.
14	Gland	FCD450-15/FCD450-10 in accordance with JIS G 5502.
15	Bolt & Nut	SUS304/SUS403 in accordance with JIS G 4303.

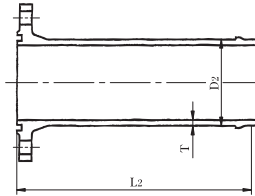
Size (inches)	Wall Thickness (inches)	Outside Diameter (inches)	Nominal laying length (inches)	Mass (lb)
	T	D ₂	L ₁	Type 2 105psi
3	0.31	3.66	3.15	26.0
4	0.31	4.65	3.15	32.2
6	0.33	6.65	3.54	49.2
8	0.37	8.66	3.54	63.7
10	0.41	10.69	3.94	84.2
12	0.41	12.71	3.94	121
16	0.47	16.76	4.33	176

Note Details of flange will conform to JIS G 5527 or AWWA Flange upon request

Appendix Table 21 GX- Spigot Flange Adapter



This page intentionally blank.



Size (inches)	Wall Thickness (inches)	Outside Diameter (inches)	Nominal laying length (inches)	Mass (lb)
	T	D ₂	L ₂	Type 2 105psi
3	0.31	3.66	15.35	21.3
4	0.31	4.65	15.35	26.9
6	0.33	6.65	15.75	40.6
8	0.37	8.66	16.14	58.0
10	0.41	10.69	18.11	87.3
12	0.41	12.71	18.90	109
16	0.47	16.76	20.08	173

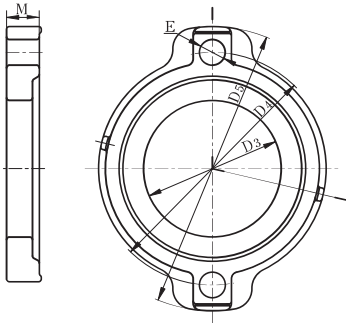
Note Details of flange will conform to **JIS G 5527** or AWWA Flange upon request

Appendix Table 22 GX- Accessories (1)
Gland

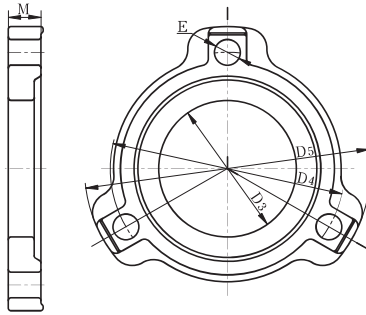
Appendix Table 22 GX- Accessories (1)
Gland

GX

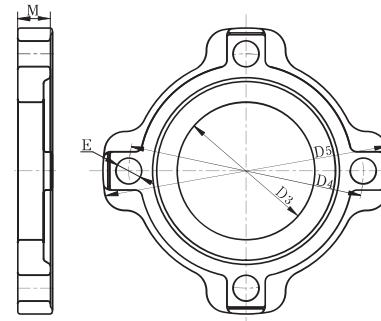
Size 3" and 4"



Size 6" and 8"





Size 10" ~ 12"

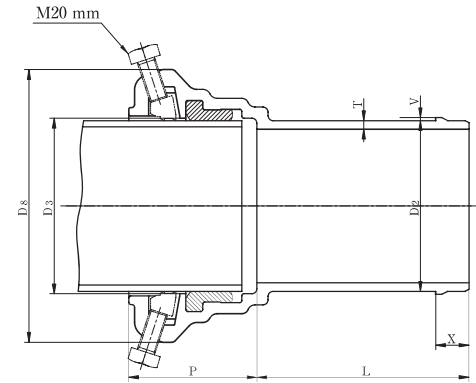
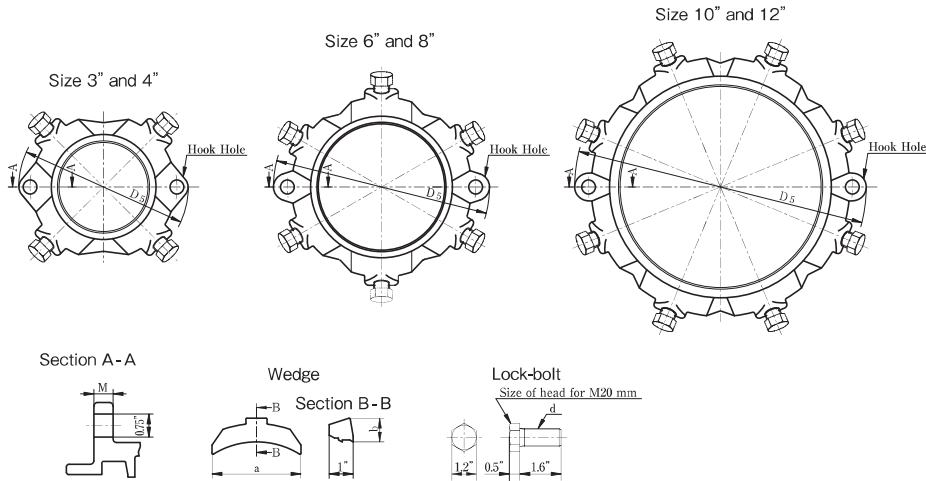


Size (inches)	Dimensions (inches)					Number of bolt holes	Mass (lb)
	D ₃	D ₄	D ₅	E	M		
3	3.98	6.77	8.27	0.75	0.75	2	4.0
4	5.00	7.95	9.61	0.91	0.79	2	4.9
6	7.01	10.20	12.01	0.91	0.83	3	7.5
8	9.02	12.13	13.94	0.91	0.87	3	10.7
10	11.06	14.29	16.10	0.91	0.91	4	13.9
12	13.07	16.97	18.78	0.91	1.02	4	18.7
16	17.13	21.10	22.91	0.91	1.10	6	27.3

※ In case of 16 inches, the number of bolt holes is 6

Appendix Table 23 GX- Accessories (2) 
P-Link

Appendix Table 23 GX- Accessories (2) 
P-Link




Size (inches)	Wall Thickness (inches) T	Body										Mass (lb)	
		Outside diameter (inches)		Dimensions (inches)									Nominal lock-bolt length (inches) L
		D ₂	D' ₂	D ₃	D ₅	D ₈	M	P	V	X			
3	0.31	3.66	3.66	3.85	7.99	7.83	0.55	4.53	0.10	1.30	7.09	18.1	
4	0.31	4.65	4.65	4.83	9.17	8.86	0.63	4.84	0.12	1.30	7.09	23.6	
6	0.33	6.65	6.65	6.84	11.69	10.63	0.63	5.00	0.12	1.30	8.27	37.0	
8	0.37	8.66	8.66	8.86	14.02	12.72	0.71	5.51	0.12	1.30	8.66	55.1	
10	0.41	10.69	10.69	10.89	15.79	14.76	0.71	5.55	0.12	1.30	8.66	70.5	
12	0.41	12.71	12.71	12.91	18.46	16.93	0.79	5.98	0.12	1.39	10.51	110	


Wedge			Lock-bolt	
Dimensions (inches)		No.	Size	No.
a	b		d(mm)	
2.91	0.97	4	M22	4
3.58	0.97	4	M22	4
3.66	0.97	6	M18	6
4.61	1.05	6	M18	6
4.37	1.05	8	M18	8
5.16	1.05	8	M18	8

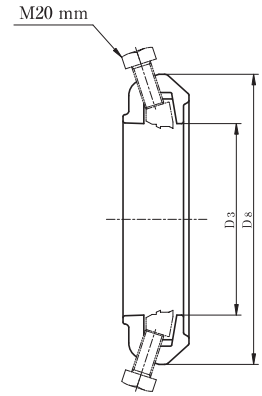
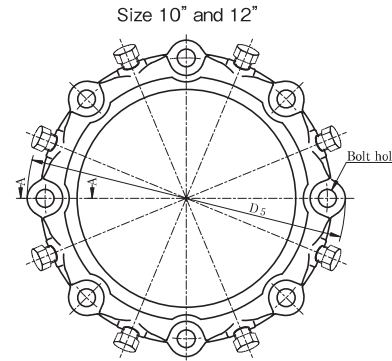
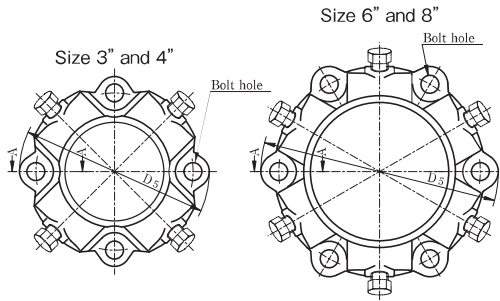
Notes 1. Wedges will be of ductile iron conforming to FCD450-10 of JIS G 5502.
by using rubber in an appropriate manner.

2. Lock-bolts will be of stainless steel (SUS304, SUS304J3 or

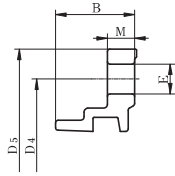
In addition, Wedge will be set
SUSXM7).

Appendix Table 24 GX- Accessories (3) 
G-Link

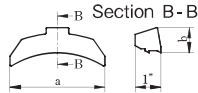
Appendix Table 24 GX- Accessories (3) 
G-Link



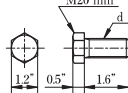
Section A-A



Wedge



Lock-bolt



Size (inches)	Body								Number of bolt holes	Mass (lb)
	Dimensions (inches)									
	D ₃	D ₄	D ₅	D ₈	B	E	M			
3	3.98	6.77	8.27	7.83	2.28	0.75	0.75	4	8.8	
4	5.00	7.95	9.61	8.86	2.40	0.91	0.79	4	11.0	
6	7.01	10.20	12.01	10.63	2.40	0.91	0.83	6	15.2	
8	9.02	12.13	13.94	12.72	2.68	0.91	0.87	6	20.6	
10	11.06	14.29	16.10	14.76	2.68	0.91	0.91	8	27.6	
12	13.07	16.97	18.78	16.93	3.03	0.91	1.02	8	41.9	

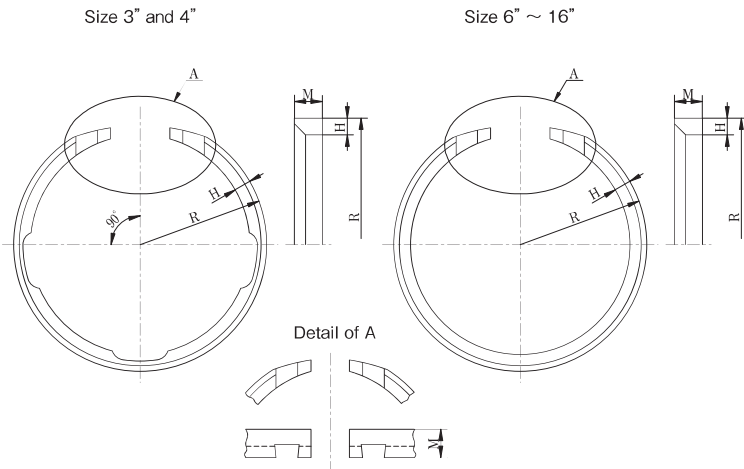
Wedge			Lock-bolt	
Dimensions (inches)		No.	Size	No.
a	b		d(mm)	
2.91	0.97	4	M22	4
3.58	0.97	4	M22	4
3.66	0.97	6	M18	6
4.61	1.05	6	M18	6
4.37	1.05	8	M18	8
5.16	1.05	8	M18	8

Notes 1. Wedges will be of ductile iron conforming to FCD450-10 of JIS G 5502. in an appropriate manner.

2. Lock-bolts will be of stainless steel (SUS304, SUS304J3 or

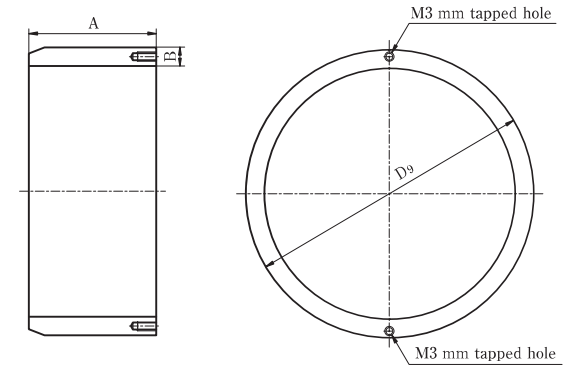
In addition, Wedge will be set by using rubber SUSXM7).

Appendix Table 25 GX- Accessories (4)
Lock Ring



Size (inches)	Dimensions (inches)			Mass (lb)
	H	M	R	
3	0.31	0.59	2.15	0.3
4	0.35	0.59	2.68	0.5
6	0.35	0.59	3.68	0.9
8	0.35	0.59	4.69	1.2
10	0.35	0.59	5.70	1.4
12	0.43	0.79	6.31	3.0
16	0.43	0.79	8.34	3.9

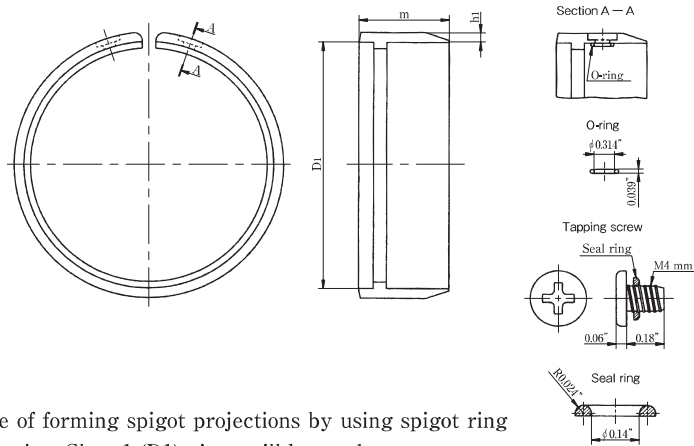
Appendix Table 26 GX- Accessories (5)
Liner



Size (inches)	Dimensions (inches)			Mass (lb)
	D ₉	A	B	
3	3.66	2.91	0.24	1.7
4	4.65	2.91	0.24	2.2
6	6.65	3.90	0.26	4.9
8	8.66	3.90	0.26	6.5
10	10.69	3.90	0.26	8.1
12	12.85	4.96	0.79	21.9
16	16.87	5.12	0.79	29.8

Note Tapped holes might be set on face (within two holes).
In this case, tapped hole will be filled with epoxy resin.

Appendix Table 27 GX- Accessories (6)
Spigot Ring for Cut Pipe



Note

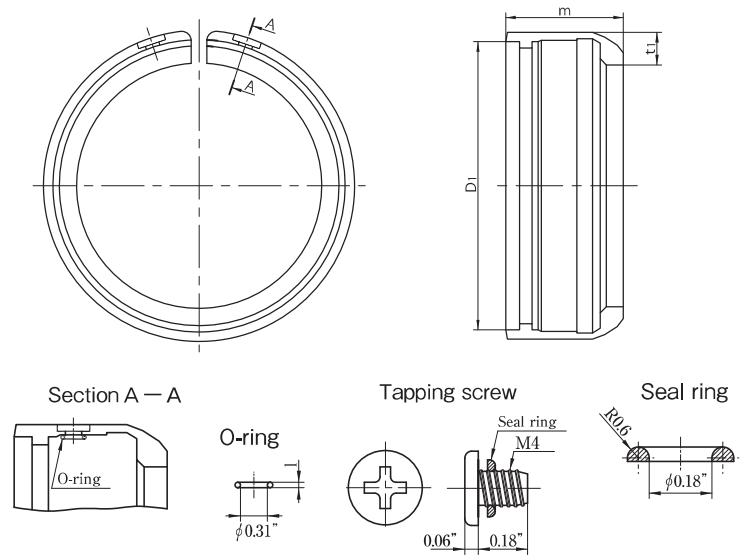
In case of forming spigot projections by using spigot ring for cut pipe, Class 1 (D1) pipes will be used.

Spigot of Class 1 (D1) pipes will be grooved as shown below

Size (inches)	Dimensions (inches)			Mass (lb) (1 set)
	D ₁	h ₁	m	
3	3.66	0.10	1.00	0.3
4	4.65	0.12	1.00	0.5
6	6.65	0.12	1.00	0.7
8	8.66	0.12	1.00	0.8
10	10.69	0.12	1.00	1.0

Notes 1. Tapping screws will be of stainless steel (SUS410) conforming to JIS G 4308.
2. Seal rings and O-rings will be of synthetic rubber (SBR) and durometer hardness will be HA50.

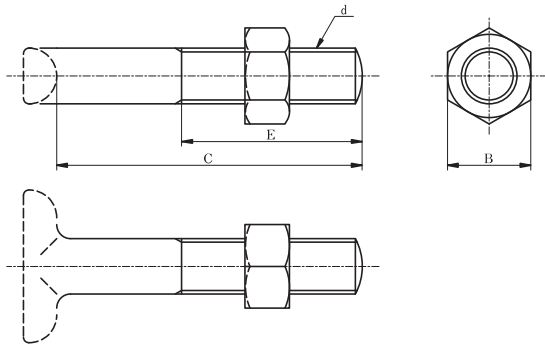
Appendix Table 28 GX- Accessories (7)
Spigot Ring for Cut Pipe



Size (inches)	Dimensions			Mass (lb) (1 set)
	D ₁	m	t ₁	
12	12.71	1.5	0.450	2.20
16	16.76	1.5	0.490	3.10

Notes 1. Tapping screws will be of stainless steel (SUS410) conforming to JIS G 4308.
2. Seal rings and O-rings will be of synthetic rubber (SBR) and durometer hardness will be HA50.

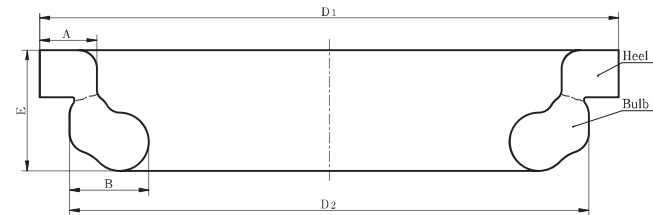
Appendix Table 29 GX- Accessories (8)
T-head Bolts and Nuts



Size (inches)	Dimensions (inches)				No.
	Size	B	C	E	
	d (mm)				
3	M16	0.94	3.94	2.76	2(4)
4	M20	1.18	3.94	2.76	2(4)
6	M20	1.18	3.94	2.76	3(6)
8	M20	1.18	3.94	2.76	3(6)
10	M20	1.18	3.94	2.76	4(8)
12	M20	1.18	4.33	2.95	4(8)
16	M20	1.18	4.33	2.95	6(-)

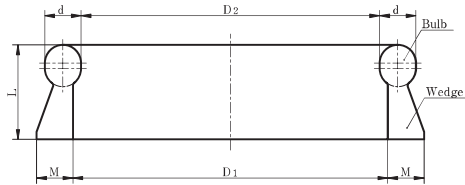
- Notes**
- Figure of T-head bolts will not be specified.
 - Figure of nuts will be dashed line, if necessary.
 - Thickness of nuts will conform to Class 1 or 2 of JIS B 1181 Annex 1.
 - No. in parentheses shows G-Link use.

Appendix Table 30 GX-Accessories (9)
Rubber Gasket
for Pipes and P-Link



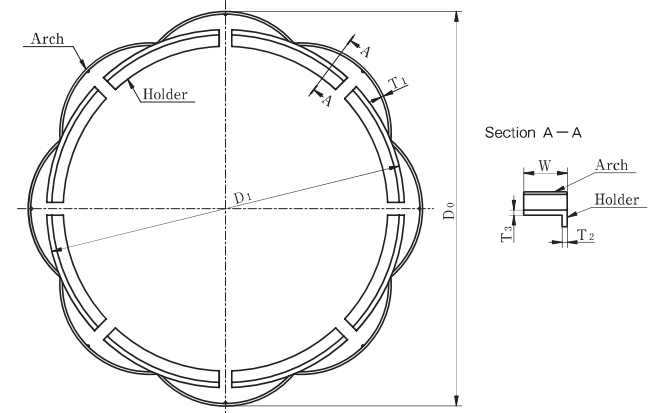
Size (inches)	Dimensions (inches)				
	D1	D2	A	B	E
3	5.03	4.42	0.55	0.72	1.2
4	6.27	5.63	0.62	0.86	1.3
6	8.38	7.73	0.63	0.88	1.4
8	10.67	9.91	0.79	1.02	1.6
10	12.76	12.00	0.80	1.02	1.7
12	15.22	14.43	0.92	1.24	1.7
16	19.72	18.85	1.08	1.53	2.01

Appendix Table 30 GX-Accessories (9)
Rubber Gasket
for Fittings



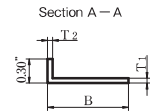
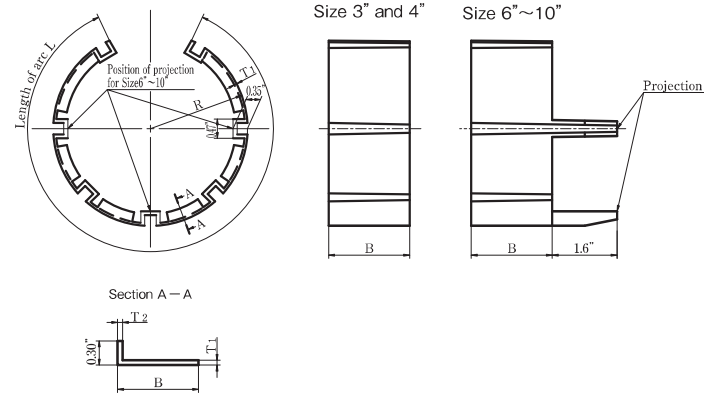
Size (inches)	Dimensions (inches)				
	D ₁	D ₂	d	L	M
3	3.66	0.16	0.79	1.93	0.79
4	4.57	4.21	0.79	1.93	0.79
6	6.50	6.14	0.79	1.97	0.79
8	8.50	8.15	0.79	1.97	0.79
10	10.47	10.12	0.79	1.97	0.79
12	12.44	12.07	0.85	2.13	0.87
16	16.38	16.00	0.85	2.17	0.87

Appendix Table 31 GX- Accessories (10)
Lock Ring Holder
(PP)



Size (inches)	Dimensions (inches)						Division number of holder
	D ₀	D ₁	T ₁	T ₂	T ₃	W	
3	4.97	4.45	0.04	0.08	0.08	0.67	6
4	6.07	5.51	0.04	0.08	0.08	0.67	8
6	8.08	7.52	0.04	0.08	0.08	0.67	10
8	10.10	9.53	0.04	0.08	0.08	0.67	12
10	12.13	11.56	0.04	0.08	0.08	0.67	16
12	14.22	13.65	0.04	0.08	0.08	0.87	12
16	18.30	17.70	0.04	0.08	0.08	0.87	16

Appendix Table 32 GX- Accessories (11)
Liner Board
(PA6)



Size (inches)	Dimensions (inches)				
	R	B	L	T ₁	T ₂
3	2.36	1.97	12.09	0.06	0.06
4	2.91	1.97	15.31	0.06	0.06
6	3.92	1.97	21.61	0.06	0.06
8	4.92	1.97	27.72	0.06	0.06
10	5.91	1.97	34.09	0.06	0.06
12	7.41	3.54	41.22	0.06	0.06
16	9.45	3.54	53.90	0.06	0.06

Note Three projections will be located for Size 6"~16".

Appendix Table 32 GX- Accessories (11)
Liner Board

