

# KUBOTA PIPELINE SYSTEM

Pipes, Pumps and Valves



**Kubota**

**KUBOTA Corporation**

Pipe Systems Global Marketing & Sales Dept.

1-3, Kyobashi 2-chome, Chuo-ku, Tokyo,  
104-8307, JAPAN

Tel : +81-3-3245-3228

Fax : +81-3-3245-3830

Website : <https://www.kubota.com/products/ironpipe/>

E-mail : [kbt\\_g.ironpipe@kubota.com](mailto:kbt_g.ironpipe@kubota.com)

**KUBOTA Membrane USA Corporation**

ERDIP Dept. / LA Office

3528 Torrance Boulevard, Suite 112,  
Torrance, CA 90503, USA

Tel : +1-424-358-5200

Website : <https://www.kubota-membrane.com/page/erdip>

E-mail : [kbt\\_g.erdip-usa@kubota.com](mailto:kbt_g.erdip-usa@kubota.com)

Ductile Iron Pipes  
WEBSITE



Facebook



# KUBOTA PIPELINE SYSTEM

Drainage Pump with Vehicle



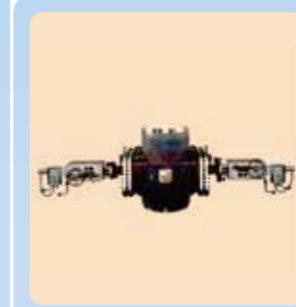
Ductile Iron Water Well Casing Pipe



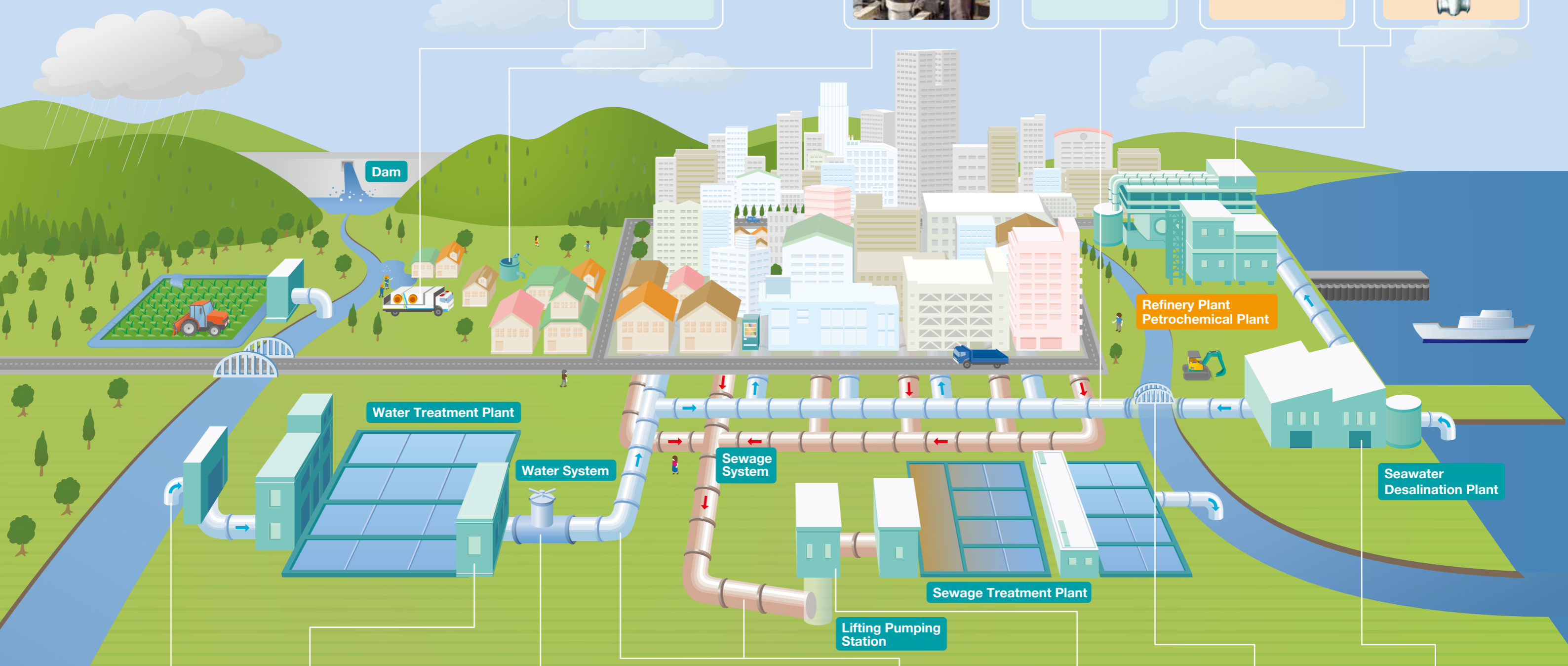
Ductile Iron Pipe (Earthquake Resistant Joint)



FCC Slide Valve



Double Disc Wedge Gate Valve



Vertical Mixed Flow Pump



Double Suction Volute Pump



Butterfly Valve



Resilient Seated Gate Valve



Ductile Iron Pipe



Vertical Shaft Volute Type Mixed Flow Pump



Ductile Iron Pipe (Jacking Pipe)



High Pressure Pump



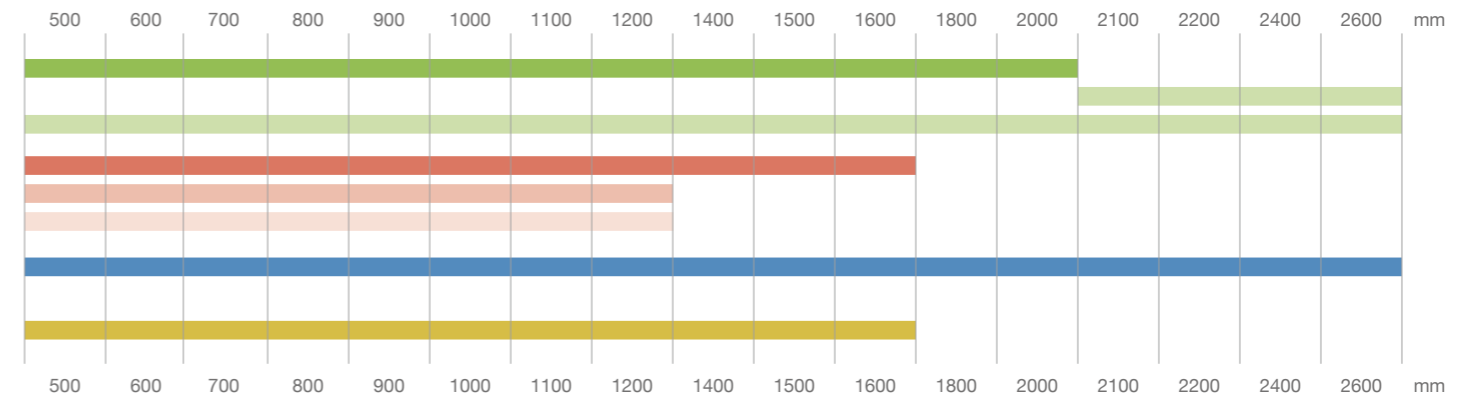
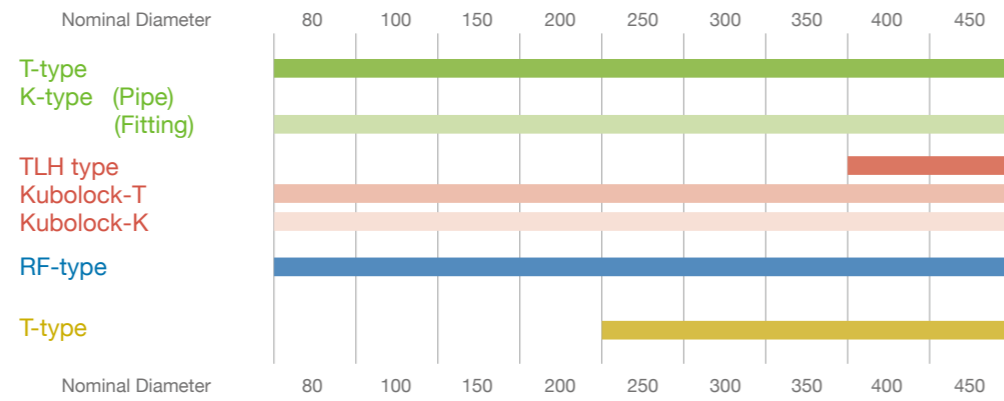
# LINE UP

## Flexible Joint

## Restrained Joint

## Flanged Joint

## Jacking Pipe

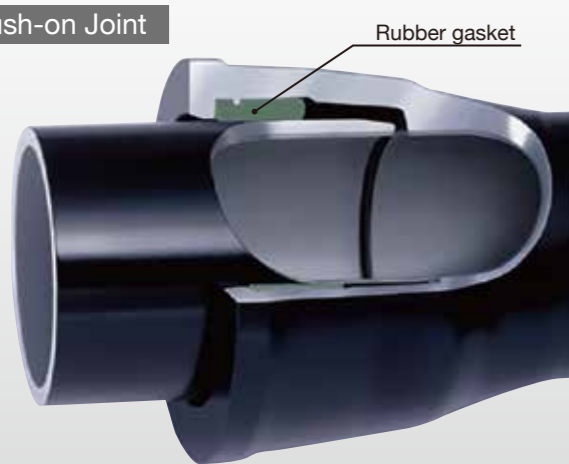


## Flexible Joint

### T-type

DN80-DN2000

#### Push-on Joint

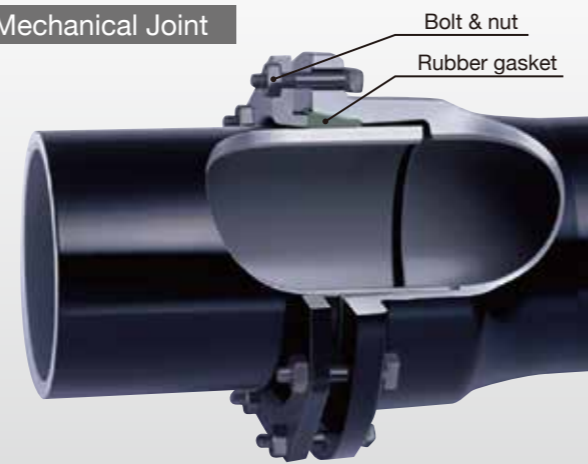


T-type joint is push-on joint. It has flexibility and excellent water tightness.

### K-type

Pipe: DN2100-DN2600  
Fitting: DN80-DN2600

#### Mechanical Joint



K-type joint is mechanical joint. It has flexibility and excellent water tightness.

## Restrained Joint

### Kubolock-T

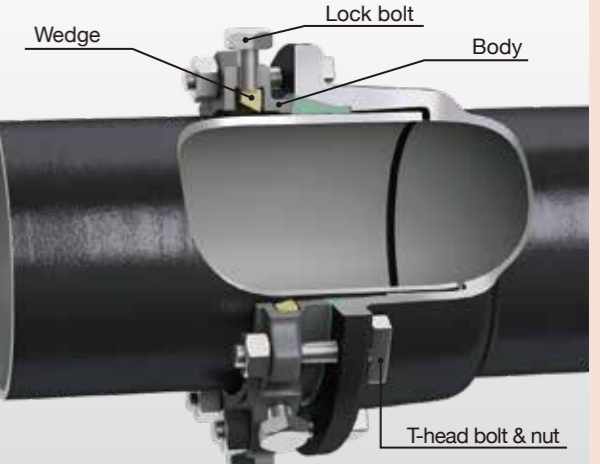
DN80-DN1200



Kubolock-T is restrained coupling. It can be simply assembled with T-type joint for restrained mechanism.

### Kubolock-K

DN80-DN1200

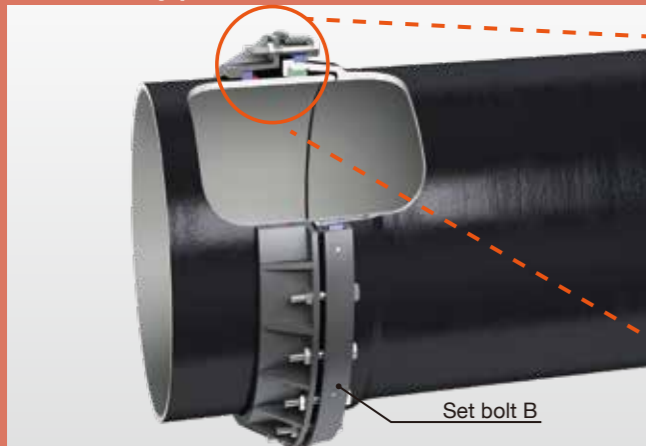


Kubolock-K is retainer gland. It can be simply assembled with K-type joint for restrained mechanism.

## Restrained Joint

### TLH-type

DN400-DN1600

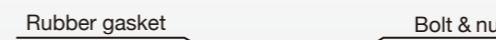


TLH-type is restrained joint. It is converted from T-type joint by providing the spigot with projection and assembling the special joint accessories. It can be used under high pressure and can be used with deflection.

## Flanged Joint

### RF-type

DN80-DN2600

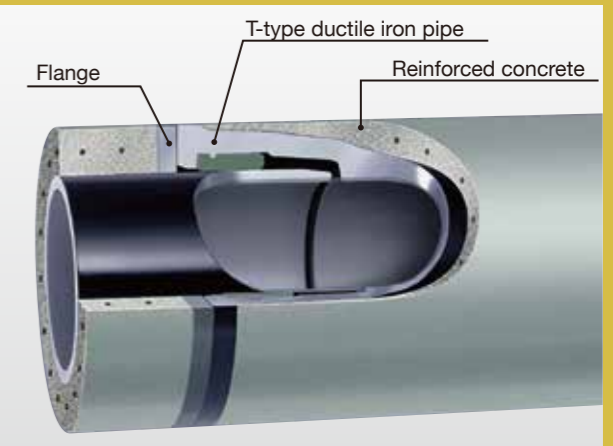


RF type is rigid joint. Generally, it is used to joint valves and other parts.

## Jacking Pipe

### T-type (For Jacking Method)

DN250-DN1600

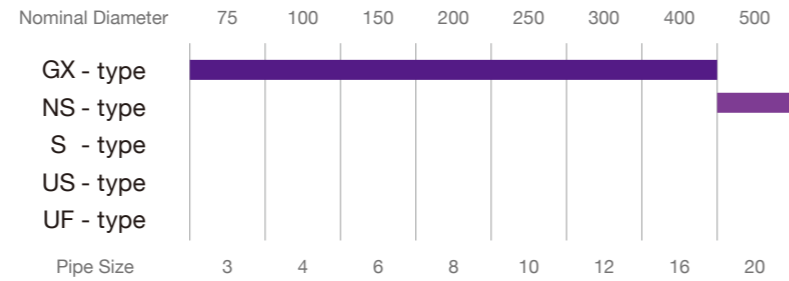


Jacking method is used to install a pipeline without trench excavation. Pipe is covered with reinforced concrete, which allows the pipe to be jacked directly into the ground without a pipe casing.

# LINE UP

## Earthquake Resistant Joint

The Earthquake Resistant Ductile Iron Pipe (ERDIP) absorbs the large ground displacement such as ground subsidence and crack by joints expansion/contraction, deflection, and anti-pull out structure.



### Pipes

#### GX-type

DN75-DN400  
3"-16"

Push-on Joint

Labels: Rubber gasket, Lock ring\*, Projection of spigot

\*External coating: C-protect      \*Lock ring is preset.

### Pipes

#### NS-type

DN500-DN1000  
20"-40"

Mechanical Joint

Labels: Gland, Bolt & nut, Rubber gasket, Lock ring, Projection of spigot

### Pipes

#### S-type

DN1100-DN2600  
44"-104"

Mechanical Joint

Labels: Rubber gasket, Gland, Bolt & nut, Lock ring, Projection of spigot

### Pipes

#### US-type

DN800-DN2600  
32"-104"

Mechanical Joint

Labels: Fixing bolt, Rubber gasket, Gland ring, Gland, Lock ring, Bolt & nut, Mortar

### Fittings

#### GX-type

DN75-DN400  
3"-16"

Mechanical Joint

Labels: Metal touch, Rubber gasket, Lock ring\*, Gland, Bolt & nut, Projection of spigot

\*External coating: C-protect      \*Lock ring is preset.

### Fittings

#### NS-type

DN500-DN1000  
20"-40"

Mechanical Joint

Labels: Gland, Bolt & nut, Rubber gasket, Lock ring, Projection of spigot

### Fittings

#### UF-type

DN800-DN2600  
32"-104"

Mechanical Joint

Labels: Lock ring, Fixing bolt, Rubber gasket, Gland, Bolt & nut, Mortar